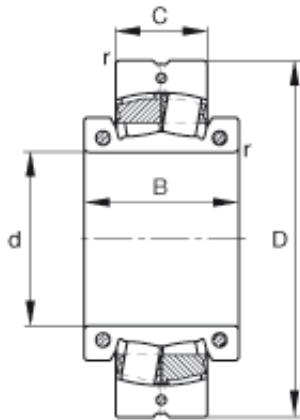




KOYO BEARINGS POLSKA Sp.Z O.o.



9 inch x 360 mm x 160 mm FAG 230S.900 Spherical Roller Bearings

Bearing No. 230S.900

230S.900 Bearing 2D drawings and 3D CAD models

Size	228.6x360x92 mm
Bore Diameter	228,6 mm
Outer Diameter	360 mm
Width	92 mm
d	228,6 mm
d	9 inch
D	360 mm
C	92 mm
B	160 mm
r _{min}	3 mm
m	52,8 kg / Weight
C _r	1100000 N / Dynamic load rating (radial)
e	0,23
Y ₁	2,9
Y ₂	4,31
C _{0r}	1830000 N / Static load rating (radial)
Y ₀	2,83
n _G	730 1/min / Limiting speed
C _{ur}	152000 N / Fatigue limit load, radial
F _{a max}	32000 N / Permissible axial load, for inner ring without axial abutment
M _i	120 Nm / Tightening torque



KOYO BEARINGS POLSKA Sp.Z O.o.

	per clamping screw
M_a	35 Nm / Tightening torque per clamping screw
	23048K / Designation, spherical roller bearing, unsplit
	H3048.900
SNP3048.900	Designation, adapter sleeve, US design