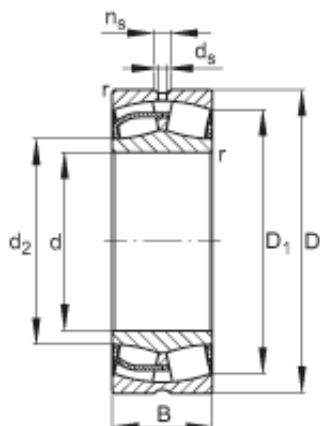




KOYO BEARINGS POLSKA Sp.Z O.o.



140 mm x 210 mm x 69 mm FAG 24028-E1 Spherical Roller Bearings

Bearing No. 24028-E1

24028-E1 Bearing 2D drawings and 3D CAD models

Size	140x210x69 mm
Bore Diameter	140 mm
Outer Diameter	210 mm
Width	69 mm
d	140 mm
D	210 mm
B	69 mm
D ₁	186,4 mm
D _{a max}	201,2 mm
d ₂	157,1 mm
d _{a min}	148,8 mm
d _s	3,2 mm
n _s	6,5 mm
r _{a max}	2 mm
r _{min}	2 mm
m	8,4 kg / Weight
C _r	590000 N / Dynamic load rating (radial)
e	0,28
Y ₁	2,37
Y ₂	3,53
C _{0r}	930000 N / Static load rating (radial)
Y ₀	2,32



KOYO BEARINGS POLSKA Sp.Z O.o.

n_G	2950 1/min / Limiting speed
n_B	1990 1/min
C_{ur}	109000 N / Fatigue limit load, radial