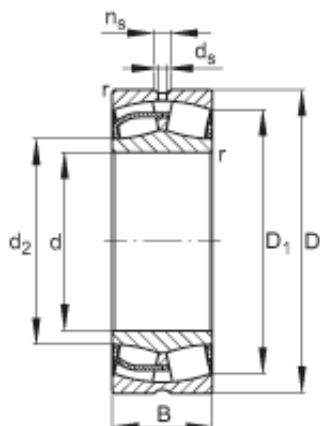




KOYO BEARINGS POLSKA Sp.Z O.o.



260 mm x 440 mm x 180 mm FAG 24152-E1 Spherical Roller Bearings

Bearing No. 24152-E1

24152-E1 Bearing 2D drawings and 3D CAD models

Size	260x440x180 mm
Bore Diameter	260 mm
Outer Diameter	440 mm
Width	180 mm
d	260 mm
D	440 mm
B	180 mm
D ₁	370,6 mm
D _{a max}	423 mm
d ₂	292,2 mm
d _{a min}	277 mm
d _s	8 mm
n _s	15 mm
r _{a max}	3 mm
r _{min}	4 mm
m	110 kg / Weight
C _r	3150000 N / Dynamic load rating (radial)
e	0,4
Y ₁	1,67
Y ₂	2,49
C _{0r}	4900000 N / Static load rating (radial)
Y ₀	1,63



KOYO BEARINGS POLSKA Sp.Z O.o.

n_G	1290 1/min / Limiting speed
n_B	570 1/min
C_{ur}	390000 N / Fatigue limit load, radial