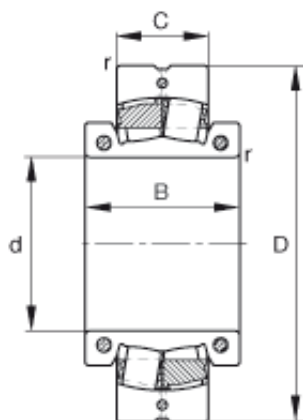




# KOYO BEARINGS POLSKA Sp.Z O.o.



## 3 7/16 inch x 180 mm x 76 mm FAG 222S.307-MA Spherical Roller Bearings

Bearing No. 222S.307-MA

222S.307-MA Bearing 2D drawings and 3D CAD models

Size	87.313x180x46 mm
Bore Diameter	87,313 mm
Outer Diameter	180 mm
Width	46 mm
d	87,313 mm
d	3 7/16 inch
D	180 mm
C	46 mm
B	76 mm
$r_{min}$	2,1 mm
m	6,98 kg / Weight
$C_r$	260000 N / Dynamic load rating (radial)
e	0,23
$Y_1$	2,9
$Y_2$	4,31
$C_{0r}$	320000 N / Static load rating (radial)
$Y_0$	2,83
$n_G$	1820 1/min / Limiting speed
$C_{ur}$	28500 N / Fatigue limit load, radial
$F_{a max}$	7600 N / Permissible axial load, for inner ring without axial abutment
$M_i$	14 Nm / Tightening torque



## KOYO BEARINGS POLSKA Sp.Z O.o.

	per clamping screw
$M_a$	14 Nm / Tightening torque per clamping screw
	22220K / Designation, spherical roller bearing, unsplit
	H320.307
SNW20.307	Designation, adapter sleeve, US design
SNV180	Designation, plummer block housing