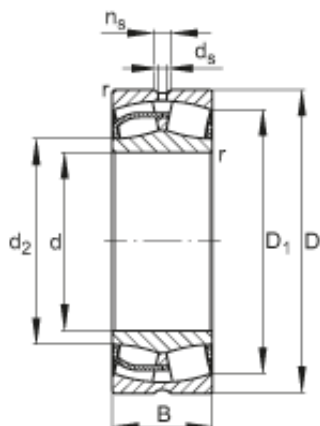




# KOYO BEARINGS POLSKA Sp.Z O.o.



## 120 mm x 200 mm x 80 mm FAG 24124-E1 Spherical Roller Bearings

Bearing No. 24124-E1

24124-E1 Bearing 2D drawings and 3D CAD models

Size	120x200x80 mm
Bore Diameter	120 mm
Outer Diameter	200 mm
Width	80 mm
d	120 mm
D	200 mm
B	80 mm
D <sub>1</sub>	170,3 mm
D <sub>a max</sub>	189 mm
d <sub>2</sub>	136,6 mm
d <sub>a min</sub>	131 mm
d <sub>s</sub>	3,2 mm
n <sub>s</sub>	6,5 mm
r <sub>a max</sub>	2 mm
r <sub>min</sub>	2 mm
m	10,4 kg / Weight
C <sub>r</sub>	580000 N / Dynamic load rating (radial)
e	0,37
Y <sub>1</sub>	1,84
Y <sub>2</sub>	2,74
C <sub>0r</sub>	950000 N / Static load rating (radial)
Y <sub>0</sub>	1,8



## KOYO BEARINGS POLSKA Sp.Z O.o.

$n_G$	2950 1/min / Limiting speed
$n_B$	1760 1/min
$C_{ur}$	76000 N / Fatigue limit load, radial