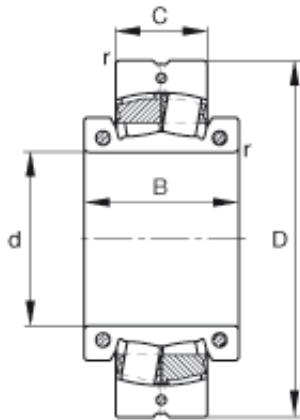




KOYO BEARINGS POLSKA Sp.Z O.o.



9 1/2 inch x 400 mm x 160 mm FAG 230S.908 Spherical Roller Bearings

Bearing No. 230S.908

230S.908 Bearing 2D drawings and 3D CAD models

Size	241.3x400x104 mm
Bore Diameter	241,3 mm
Outer Diameter	400 mm
Width	104 mm
d	241,3 mm
d	9 1/2 inch
D	400 mm
C	104 mm
B	160 mm
r _{min}	4 mm
m	56,8 kg / Weight
C _r	1220000 N / Dynamic load rating (radial)
e	0,22
Y ₁	3,04
Y ₂	4,53
C _{0r}	2120000 N / Static load rating (radial)
Y ₀	2,97
n _G	690 1/min / Limiting speed
C _{ur}	177000 N / Fatigue limit load, radial
F _{a max}	32000 N / Permissible axial load, for inner ring without axial abutment
M _i	120 Nm / Tightening torque



KOYO BEARINGS POLSKA Sp.Z O.o.

	per clamping screw
M_a	69 Nm / Tightening torque per clamping screw
	23052K / Designation, spherical roller bearing, unsplit
	H3052X.908
SNP3052.908	Designation, adapter sleeve, US design